



RGB Sync Controller



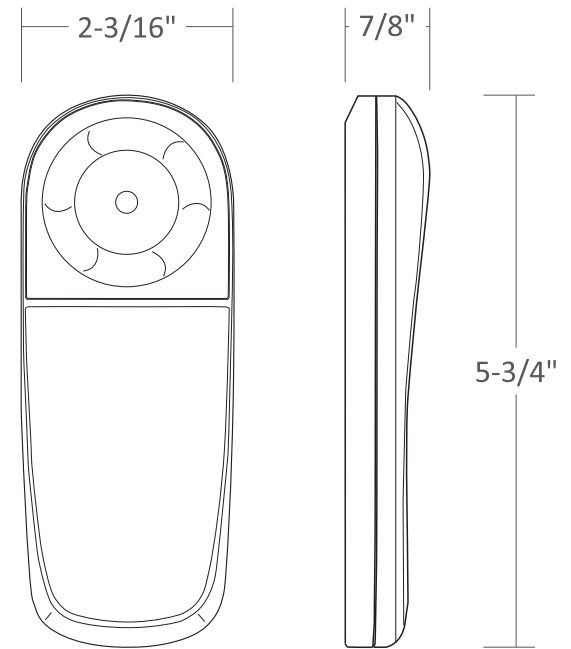
Control a single strand,
or a massive array.

The MaxBrite Synchronized Wireless RGB Controller exploits the latest wireless sync technology, enabling intuitive color control across unlimited receivers.

Specifications:

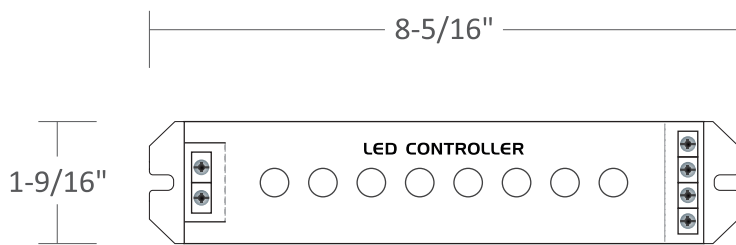
REMOTE

Dimensions:	5-3/4" x 2-3/16" x 7/8"
Input voltage:	5V DC built-in lithium-ion battery
Charge method:	Mini-B USB port (cable included)
Working current:	<30 mA
Working frequency:	2.4 GHz
RF remote distance:	100 ft (30 m)
Transmitting rate:	500 Kbps
Battery capacity:	1000 mAh
Standby time:	1 year
Normal use time:	30 days
Charge time:	<4 hours
Number of charge cycles:	500+
Weight:	9.6 ounces
Max. number receivers:	Unlimited (within effective range)

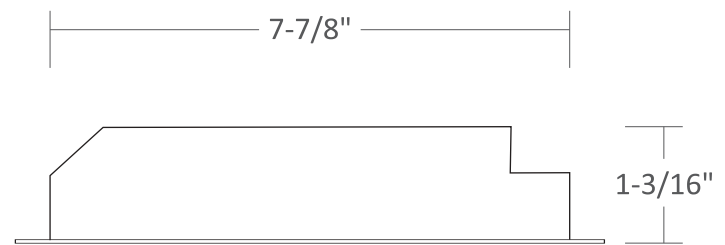


RECEIVER

Dimensions:	8-5/16" x 1-1/2" x 1-3/16"
Channels:	3: Red, Green, and Blue
Input voltage:	12 or 24 Volts DC
Max. current load:	5A per channel
Max. output power:	180W/360W (12V/24V)
PWM Frequency:	480 Hz
Weight:	8.0 ounces



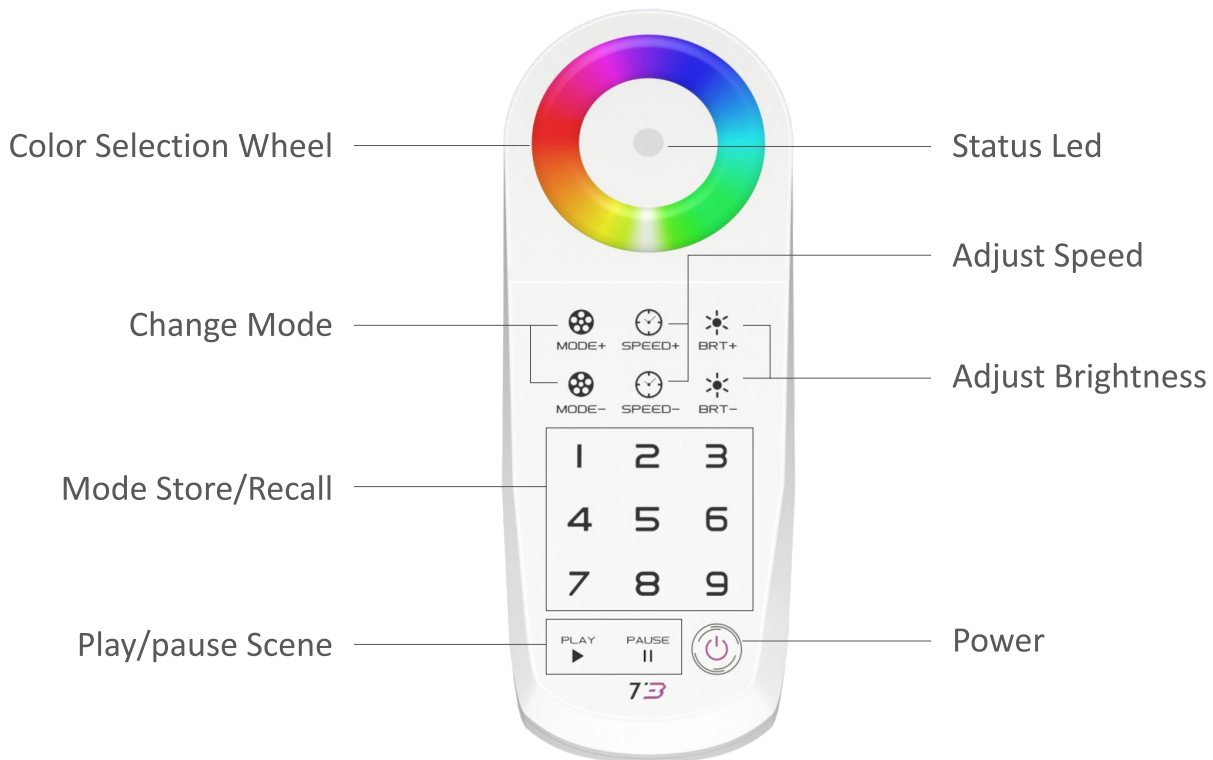
Top View



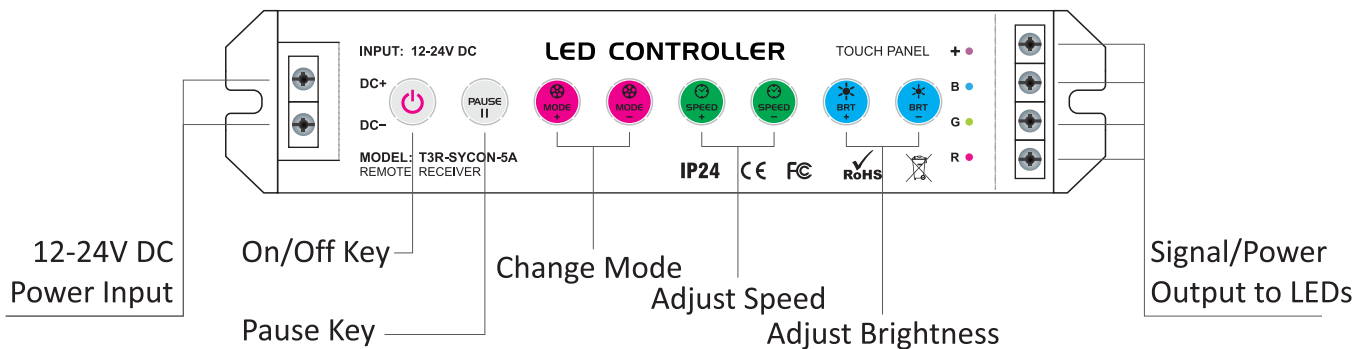
Side View

MAXBrite

T3 Remote Interface:



T3R Receiver Interface:





Remote Control Charging Instructions:

1. To charge the remote, connect a Mini USB-B cable to the charge port and plug into a mobile device charger or computer.
2. The blue indicator light pulses while charging, and turns green once charging is complete. The remote control can be charged even in the "off" state, while the indicator light will remain dark.
3. There is no "memory effect" in this lithium battery pack. Follow the standard charging procedure from the start - the battery will not over-charge.
4. Red indicator light pulses to indicate low battery.
5. If remote is not used for an extended period of time, please keep battery at least 50% charged. Plug in remote every two/three months, otherwise overall battery capacity may diminish.

Pairing Remote Control & Receiver Instructions:

1. Turn on the receiver and remote control.
2. Press and hold the *power* button on the receiver for 2 seconds until you hear a beep, CONTINUE holding the *power* button on the receiver, then press any button on the remote (except the *power* button). You will hear a confirmation beep from both the receiver and the remote and the LED indicator on the remote will flash 3 times. Release all keys.



If you wish to control many receivers simultaneously, pair each receiver to the remote according to the steps above.

Un-Pairing Instructions:

1. Turn on the receiver and remote control.
2. To un-pair a receiver, press and hold the *power* button on the RECEIVER for 10 seconds until you hear a long beep. Release *power* button.
3. To reset a remote from all paired receivers, press and hold the *power* button on the REMOTE for 10 seconds until the light flashes red, then flashes green to indicate a completed reset. Release *power* button.

Scene Selection:

1. Scroll through the preset modes with the *mode+* or *mode-* buttons until you have the desired scene, or use the *color wheel* to select a desired static color.
2. Set the desired speed of your mode with the *speed+* or *speed-* buttons.
3. Press and hold the desired number key for 3 seconds to save that mode for easy recall. Let go once you hear the beep.
4. Press the number key to recall the stored scene to all synced receivers.

1	Static Red	12	Red Fade In/Out	23	Red / Yellow Color Fade
2	Static Green	13	Green Fade In/Out	24	Green / Cyan Color Fade
3	Static Blue	14	Blue Fade In/Out	25	Blue / Purple Color Fade
4	Static Yellow	15	Yellow Fade In/Out	26	Green / Yellow Color Fade
5	Static Purple	16	Purple Fade In/Out	27	Blue / Cyan Color Fade
6	Static Cyan	17	Cyan Fade In/Out	28	Red / Purple Color Fade
7	Static White	18	White Fade In/Out	29	Blue / White Color Fade
8	RGB Jumping	19	RGB Fade In/Out	30	Yellow / Purple / Cyan Color Fade
9	7 Color Jumping	20	Red / Green Color Fade	31	RGB Color Fade
10	White Pulsing	21	Red / Blue Color Fade	32	Full Color Fade
11	7 Color Pulsing	22	Blue / Green Color Fade		

MAXBrite

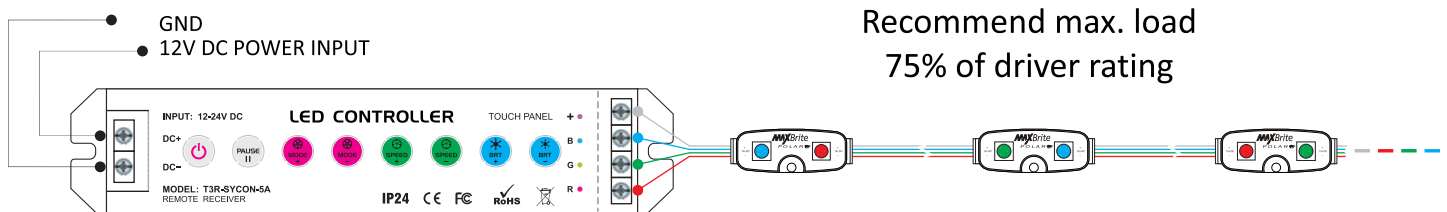
WIRING INSTRUCTIONS

Connect the LED load to the receiver using the R (red), G (green), B (blue), and + (common) sockets. Apply 12V or 24V DC, depending on the requirements of the LED strip, to the power input socket. As shown below, receivers may be connected to the same or different power sources, as long as power needs are met.

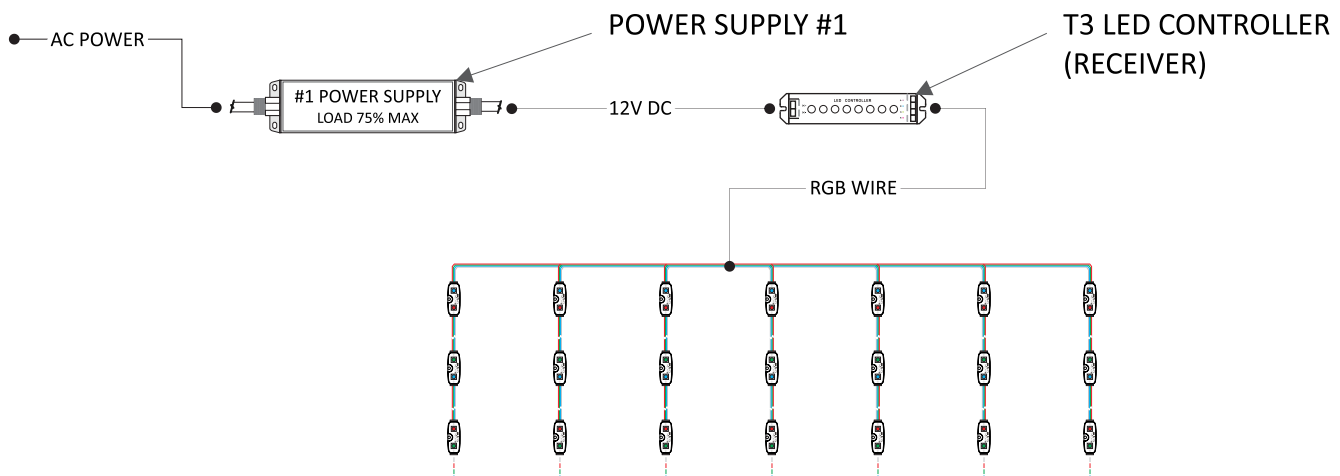
The receiver is ready to use as soon as both power and load are connected. If no remote is to be used, simply touch the mode button plus or minus to cycle through the modes. Speed and brightness adjustments work the same as with the remote. The pause button will stop the mode and hold its current color static. Simply press again to continue the dynamic mode.

After initial pairing of multiple receivers to a remote, and the receivers are within range of each other, they will also automatically sync. This means that your remote must only reach a single receiver, and the signal will be daisy-chained to the other receivers, extending your overall effective range.

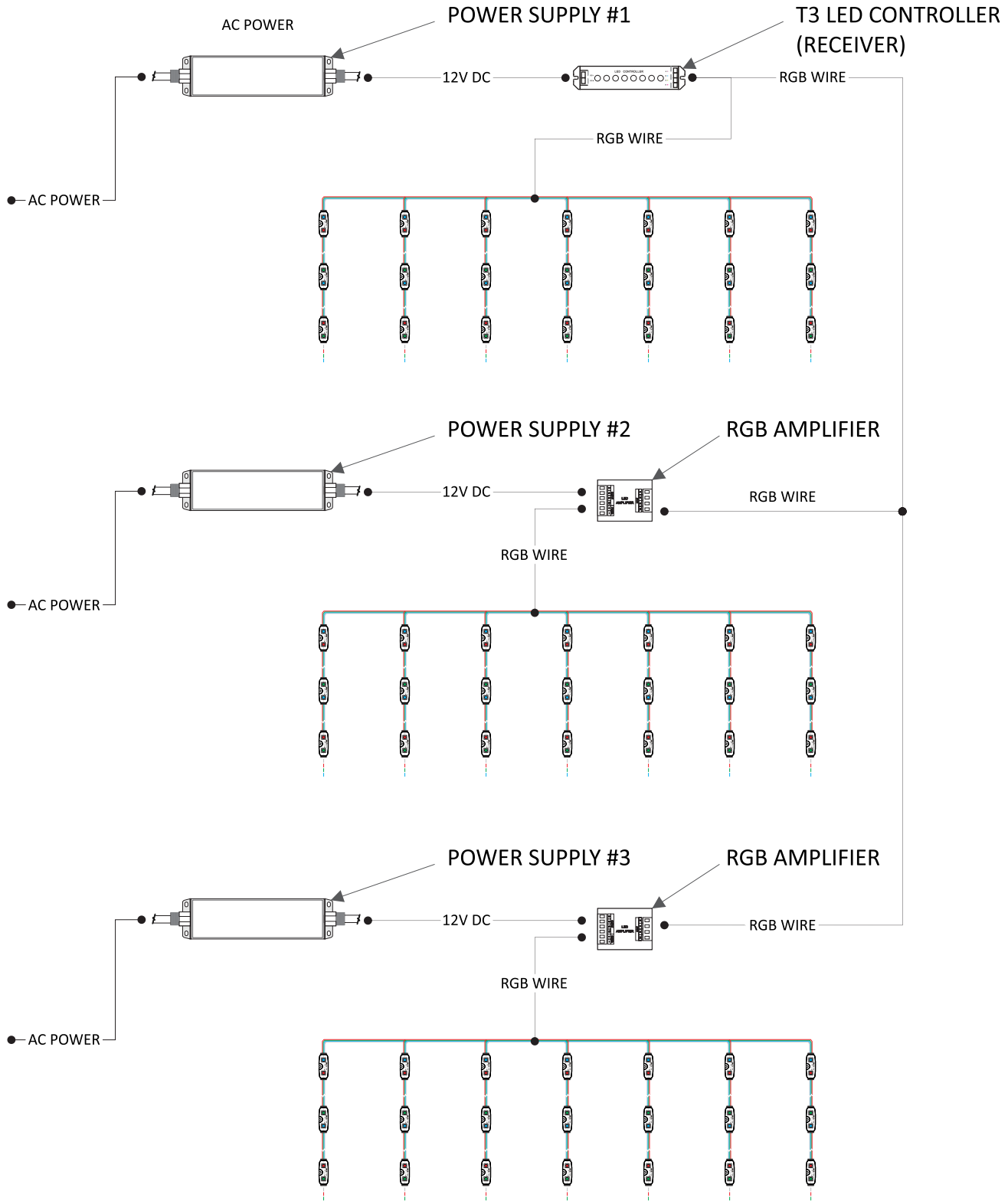
WIRING DIAGRAM



SINGLE DRIVER SETUP



MULTIPLE DRIVER SETUP



Product Limited Warranty

MaxBrite LED is dedicated to providing defect-free products that will give the buyer years of trouble free operation. These products offer high design standards and are the most thoroughly tested in the industry. All MaxBrite LED products maintain very strict quality assurance standards that are essential to customer requirements.

MaxBrite LED warrants its LED products and Power Supply products to meet the performance criteria outlined in the written data sheets and specifications. These products are guaranteed to be free from defects in materials and workmanship for the warranty period stated below, as long as the MaxBrite LED products and Power Supplies are used together as a system. If any LED product or Power Supply fails to perform, as specified during the warranty period in accordance with the terms and conditions set forth herein, MaxBrite LED will replace, or at its discretion, repair free of charge, the non-performing product on a pro-rata basis.

Terms and Conditions

Usage

This limited warranty is based on reasonable indoor or outdoor usage in architectural applications for image identification, when installed and used in accordance with instructions from MaxBrite LED. Normal operating conditions are defined as 24 hour per day, 7 day per week continuous use in typical outdoor heat and humidity environmental conditions. All LED systems, to varying degrees, have some amount of light degradation over the life of the product. MaxBrite LED designs all of its LED systems to minimize this light degradation but considers this a normal part of LED technology. This limited warranty is valid only when the LED products and Power Supplies are used together for their intended use and properly installed and wired in accordance with all instructions, building codes, the latest Underwriter Laboratory Standards of Safety, National Electric Code, Canadian Standards Association, and all other domestic and international safety agencies that are recognized as having applicable safety requirements. Any use outside intended use or conditions or the conditions stated in MaxBrite LED written data sheets and instruction, or stated herein, including the use of third party dimming, flashing or other effect devices, extreme environmental conditions or any other unintended usage will void this warranty. Replacement of MaxBrite LED products or Power Supplies with any other manufacturer's components will further void this warranty. After the first 12 months, the warranty is held on a pro-rata basis. The pro-rata formula is as follows: $\frac{P * T}{W}$

Where P = Current price, T = Remaining term in months, W = The original warranty period in months.

EXAMPLE:

An approved warranty claim is made within 12 months of purchase, with an original purchase price of \$100, and a 3 year warranty. MaxBrite is responsible for 100% of the replacement cost since it is within 12 months of purchase.

If the same warranty claim is made within 24 months on the warranty, customer is responsible for $\frac{100 * 24}{36} = \$66.67$ for the replacement.

The "date of purchase" refers to the date on your sales invoice. If you cannot find your sales invoice, the date will be calculated based on the date of manufacture which is determined by your product's serial number.

Warranty Claim Assistance

Should a MaxBrite LED product fail under this warranty please contact MaxBrite LED for a Return Material Authorization number (RMA). An RMA number may be obtained by calling customer service at (408) 437-1600. Information and troubleshooting assistance is also available at this number. Once an RMA number is obtained, the product should be returned directly to MaxBrite LED or the location designated at the time the RMA was issued. Product must be returned within 15 days of RMA issuance for the RMA to remain valid. Please mark all shipping boxes and packing slips with the RMA number. MaxBrite LED, at its sole discretion, may elect to provide replacement product prior to receipt of defective material. If such product is provided, user agrees to return to MaxBrite LED the defective product within 30 days of receipt of replacement. The Customer/Purchaser is responsible for all return shipping costs. Shipping costs are non-refundable. All returned merchandise must be sent back prepaid; we will not accept CODs. Please insure the package(s) for the full amount of the merchandise you are sending back to us. MaxBrite LED is not responsible for missing packages or missing items. Defective product is to be returned to the address listed as the return address on the shipping container. Failure to return defective product within specified time will result in user being charged for replacement product and will void all further warranty claims. Should circumstances arise that preclude the remedying of warranted defects by repair or replacement, MaxBrite LED shall, at its discretion and upon receipt and verification of defective product, refund to the buyer the purchase price or portion of purchase price theretofore paid to MaxBrite LED.

Limitation of Liability

High quality lighting products is the commitment of MaxBrite LED. By returning defective products it will help us monitor and further improve our product quality. Repair or replacement of product is the sole remedy available. UNDER NO CIRCUMSTANCE SHALL MAXBRITE LED BE LIABLE FOR ANY INCIDENTAL OR CONSEQUENTIAL LOSS OR DAMAGE WHATSOEVER ARISING OUT OF, OR IN ANY WAY RELATED TO ANY DEFECT IN OR NON PERFORMANCE OF THE PRODUCTS. NO WARRANTY OF MERCHANTABILITY OR FITNESS FOR A PARTICULAR PURPOSE IS MADE OR IMPLIED. Furthermore, MaxBrite LED shall not be responsible for any other costs, including installation or field support labor or loss of profits, income or revenue. Additionally, any drawing, layout, quotation or other communication regarding suggested product type, amount or usage is for reference only and should be treated as an estimate. MaxBrite LED shall not be responsible for minimum illumination levels or other performance criteria. MaxBrite LED reserves the right to test and examine all products returned under this warranty to evaluate proper usage, determine the cause of failure, and make a determination, in its sole judgment whether the products are defective and covered by this warranty.